

# INVENGO XC-AF12 HIGH PERFORMANCE



## About Invengo's XC-AF12 High Performance Antenna

Invengo XC-AF12 antenna offers high gain, ruggedness and excellent shock and vibration resistance in a unique design. The XC-AF12 circular polarized antenna is ideal for transportation, logistics, warehousing and asset tracking applications.



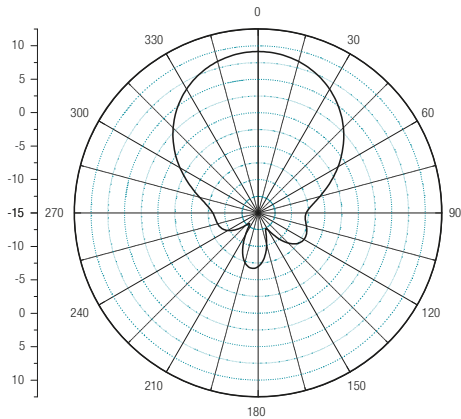
Invengo – the global RFID technology provider – is a leading developer and manufacturer of high quality, intelligent RAIN RFID (UHF) and NFC (HF) inlays, tags and connectivity solutions utilized in the Internet of Things (IoT). With a focus on RFID innovation, Invengo has created a leading product line in retail, library, pharmaceutical, healthcare, (public) transportation and many other industries.

Invengo Technology Pte. Ltd. (SG) is the International Headquarters of Invengo Information Technology Co. Ltd, listed on Shenzhen Stock Exchange (SZSE: 002161.SZ). Employing over 500 people globally, Invengo is one of the largest publicly traded, RFID oriented companies in the world.

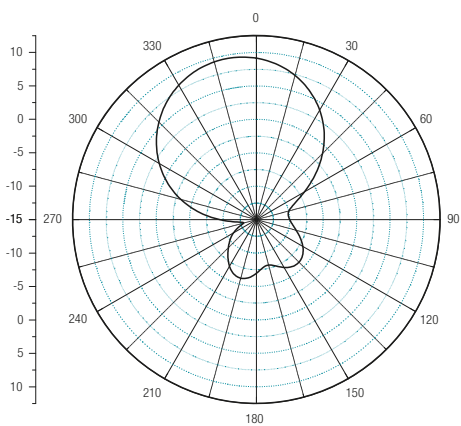
## Features

- Operating Frequency  
840 ~ 928 MHz
- High Gain
- Circular Polarization
- Low VSWR
- Protection Level: IP65
- Durable and clean design
- Simple installation and maintenance

## Radiation Pattern



E Phase



H Phase

## Product Specifications

### Performance Parameter

Operating Frequency	840 ~ 928 Mhz
VSWR	≤ 1.3:1
Gain	7.15 dBi
H-Plane HPBW	60°
E-Plane HPBW	60°
Polarization	Circular
Antenna Impedance	50 Ω

### Environmental

Operating Temperature	-40°C to 70°C (-40°F to 158°F)
Storage Temperature	-40°C to 70°C (-40°F to 158°F)
Humidity Range	5% ~ 95% RH
Protection Level	IP65

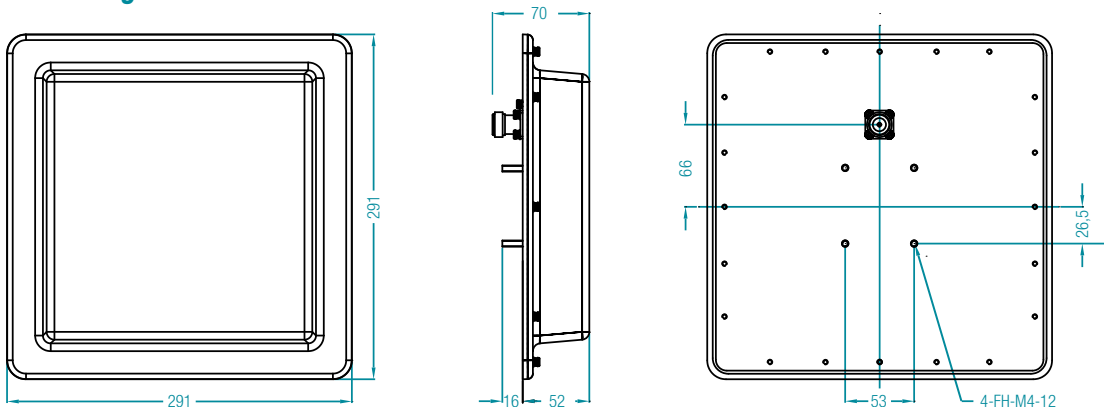
### Physical Parameters

Dimensions	291 x 291 x 52 mm 11.5 x 11.5 x 2 in
Weight	Approx. 0,91 kg / 2.0 Lbs
Case Material	Plastic ASA, Aluminium

### Models

ID	XC-AF12
----	---------

## Mounting Bracket



### APAC (International HQ)

#### Invengo Technology Pte. Ltd

10 Kallang Avenue  
#05-15 Tower 2, Aperia  
Singapore 339510

Office: +65 6702 3909  
sales.apac@invengo.com

### Americas

#### Invengo Technology Corp.

2700-160 Sumner Blvd.  
Raleigh, NC 27616  
United States of America

Office: +1 919 890 0202  
sales.americas@invengo.com

### EMEIA

#### Invengo Technology BV

Belder 30-a  
4704RK Roosendaal  
The Netherlands

Office: +31 88 6363 793  
sales.emeia@invengo.com